

Differential pressure transmitter



SPECIFICATIONS

testo 6321

A differential pressure transmitter with a good price/performance ratio for applications in air conditioning and ventilation technology. The automated building services must always be monitored precisely, whereby the requirements placed on the measuring technology are increased. **testo 6321** fulfills these requirements by ensuring the best possible system function, optimization of the climatic conditions and energy savings by means of highly accurate measurement, stable over the long-term, of the differential pressure.

Areas of application

- Industrial and commercial buildings, e.g. in production and storage
- Offices and administrative buildings
- Sales areas and exhibition halls
- Museums and libraries
- School buildings, hotels, clinics etc.



SPECIFICATIONS

testo 6321

- Measurement of differential pressure in the measuring range of 100 Pa to 2 bar
- Magnetic valve for automatic zero-point adjustment guarantees high temperature-independent accuracy and long-term stability
- Accuracy $\pm 1.2\%$ of measuring range + intrinsic error of 0.3 Pa – valid for zeroing cycle of 60 sec/nominal temperature +22 °C
- P2A software for parameterization, adjustment and analysis, saves time and costs in commissioning and maintenance
- Freely scalable: $\pm 50\%$ of measuring range final value and free scalability within the measuring range
- Diverse analog outputs and measuring ranges
- Display optional



Differential pressure transmitter

Technical data

Measurement parameters		
Differential pressure		
Measuring range	0 to 100 Pa 0 to 10 hPa 0 to 20 hPa 0 to 50 hPa 0 to 100 hPa 0 to 500 hPa 0 to 1000 hPa 0 to 2000 hPa	-100 to 100 Pa -10 to 10 hPa -20 to 20 hPa -50 to 50 hPa -100 to 100 hPa -500 to 500 hPa -1000 to 1000 hPa -2000 to 2000 hPa
Measurement uncertainty*	±1.2% of measuring range final value ±0,3 Pa Temperature gain drift: 0.05% of measuring range per Kelvin deviation from nominal temperature 22 °C Zero-point drift: 0% (due to zero-point adjustment)	
Sensor	Piezoresistive sensor	
Autom. zero-point adjustment	via magnetic valve	
Overload capacity	Measuring range	Overload
	0 to 100 Pa	20000 Pa
	0 to 10 hPa	200 hPa
	0 to 20 hPa	200 hPa
	0 to 50 hPa	750 hPa
	0 to 100 hPa	750 hPa
	0 to 500 hPa	2500 hPa
	0 to 1000 hPa	2500 hPa
	0 to 2000 hPa	2500 hPa
	-100 to 100 Pa	20000 Pa
	-10 to 10 hPa	200 hPa
	-20 to 20 hPa	200 hPa
	-50 to 50 hPa	750 hPa
	-100 to 100 hPa	750 hPa
	-500 to 500 hPa	2500 hPa
	-1000 to 1000 hPa	2500 hPa
	-2000 to 2000 hPa	2500 hPa

General		
Housing		
Material / colour	ABS / white (RAL 9010) or light grey	
Weight	Approx. 160 g	
Display		
Display	1-line LCD (optional)	
Resolution	Measuring range	Resolution
	0 to 100 Pa	0.1 Pa
	0 to 10 hPa	0.01 hPa
	0 to 20 hPa	0.01 hPa
	0 to 50 hPa	0.01 hPa
	0 to 100 hPa	0.1 hPa
	0 to 500 hPa	0.1 hPa
	0 to 1000hPa	1 hPa
	0 to 2000hPa	1 hPa
	-100 to 100 Pa	0.1 Pa
	-10 to 10 hPa	0.01 hPa
	-20 to 20 hPa	0.01 hPa
	-50 to 50 hPa	0.01 hPa
	-100 to 100 hPa	0.1 hPa
	-500 to 500 hPa	0.1 hPa
	-1000 to 1000 hPa	1 hPa
	-2000 to 2000 hPa	1 hPa
Miscellaneous		
Protection class	IP65 only when the transmitter is wired and/or sealing plugs are in use	
EMC	EC guideline: 2004/108/EC	
Automatic zero-point adjustment	Every 60 seconds ex-works	

Inputs and outputs	
Analog outputs	
Output type	0 to 1/5/10 V (4-wire) 4 to 20 mA (4-wire)
Measuring rate	1/s
Resolution	12 bit
Accuracy of the analog outputs	0 to 1 V ±2,5 mV 0 to 5 V ±12,5 mV 0 to 10 V ±25 mV 4 to 20 mA ±0,05 mA
Max. load	500 Ω
Further outputs	
other analog outputs	Minin DIN for P2A software (adjustment and parameterization software)
Supply	
Voltage supply	20 to 30 V AC/DC
Current consumption	30 mA

Operating conditions	
Humidity (sensor)	0 to 90 %RH
Temperature (sensor)	-5 to +50 °C
Storage temperature	-40 to +80 °C

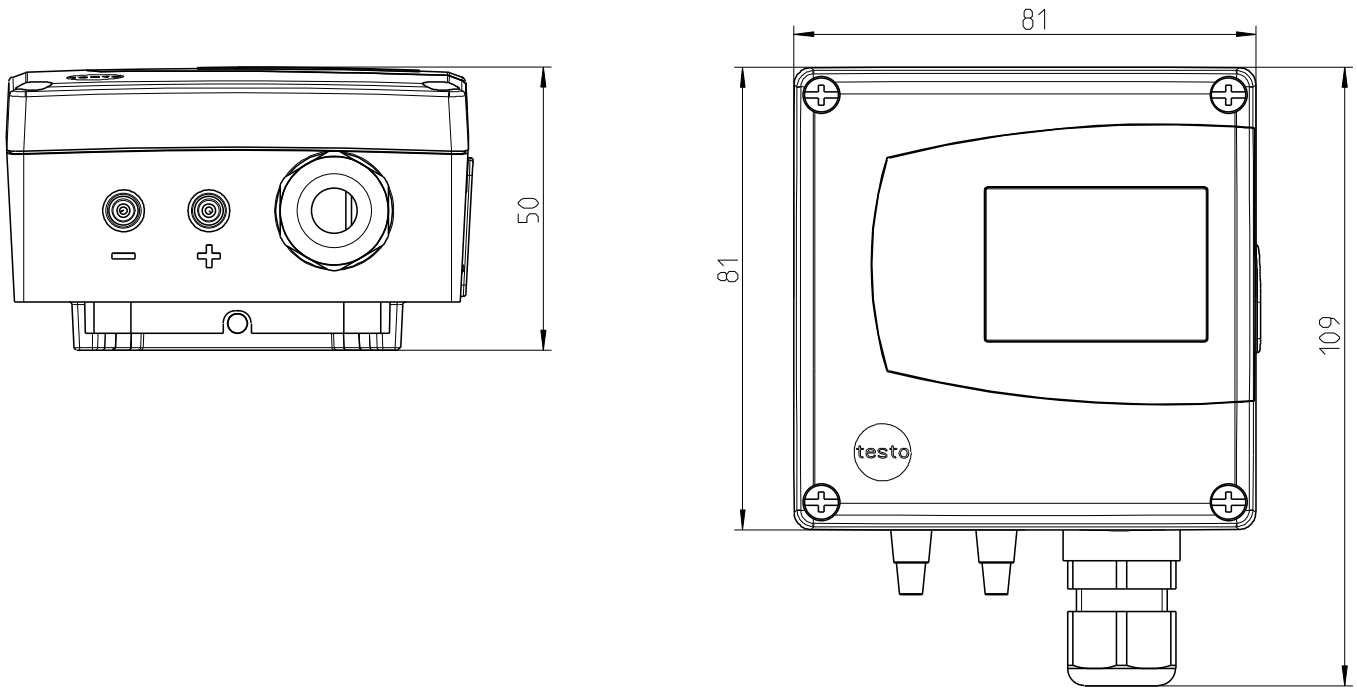
***The determination of measurement uncertainty takes place according to GUM (Guide to the Expression of Uncertainty in Measurement):**

For the determination of measurement uncertainty, the accuracy of the measuring instrument (hysteresis, linearity, reproducibility), the uncertainty contribution of the test site as well as the uncertainty of the adjustment site (works calibration are taken into account. For this purpose, the value of k=2 of the extension factor, which is usual in measurement technology is used as a basis, which corresponds to a trust level of 95%.

Subject to change without notice.

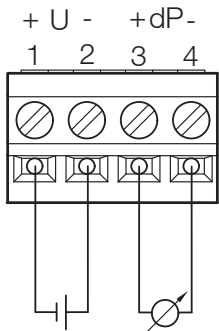
Differential pressure transmitter

Technical drawings

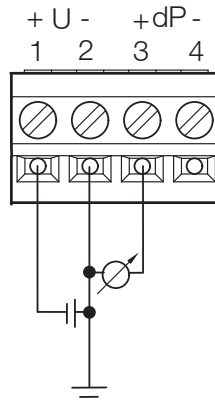


Connection plan

4-wire wiring



3-wire wiring





Differential pressure transmitter

The following options can be specified for the testo 6321

AXX	Measuring range
BXX	Analog output/supply
CXX	Display
EXX	Housing colour
FXX	Unit
KXX	Language of the instruction manual (for bilingual paper instruction manual)

Deliver incl. wall holder

AXX Measuring range

A03	0 to 100 Pa
A05	0 to 10 hPa
A06	0 to 20 hPa
A07	0 to 50 hPa
A08	0 to 100 hPa
A09	0 to 500 hPa
A10	0 to 1000 hPa
A11	0 to 2000 hPa
A23	-100 to 100 Pa
A25	-10 to 10 hPa
A26	-20 to 20 hPa
A27	-50 to 50 hPa
A28	-100 to 100 hPa
A29	-500 to 500 hPa
A30	-1000 to 1000 hPa
A31	-2000 to 2000 hPa

BXX Analog output / supply

B02	0 to 1 V (4-wire, 24 VAC/DC)
B03	0 to 5 V (4-wire, 24 VAC/DC)
B04	0 to 10 V (4-wire, 24 VAC/DC)
B06	4 to 20 mA (4-wire, 24 VAC/DC)

CXX Display

C00	without display
C01	with display

EXX Housing colour

E01	Housing colour light grey, incl. Testo logo (coloured)
E02	Neutral housing, white, without Testo logo
E03	Neutral housing, white, incl. Testo logo (black/white)

FXX Unit

F01	Pa / min / max
F02	hPa / min / max
F03	kPa / min / max
F04	mbar / min / max
F05	bar / min / max
F06	mm H ₂ O / min / max
F07	inch H ₂ O / min / max
F08	inch HG / min / max
F09	kg/cm ² / min / max
F10	PSI / min / max

KXX Instruction manual language

K01	Instruction manual German-English
K02	Instruction manual French-English
K03	Instruction manual Spanish-English
K04	Instruction manual Italian-English
K05	Instruction manual Dutch-English
K06	Instruction manual Japanese-English
K07	Instruction manual Chinese-English

Example:

Order code for testo 6321 transmitter with the following options:

- Measuring range 0 to 100 Pa
- Analog output 0 to 5 V
- Without display
- Housing colour light grey
- Unit mbar
- Language of instruction manual German/English

0555 6321 A03 B03 C00 E00 F04 K01

上海萨海测量技术有限公司
 电话: 021-6236 2960
 传真: 021-5235 2321
 邮箱: sales@seasy-ist.com
 网址: www.seasy-ist.com